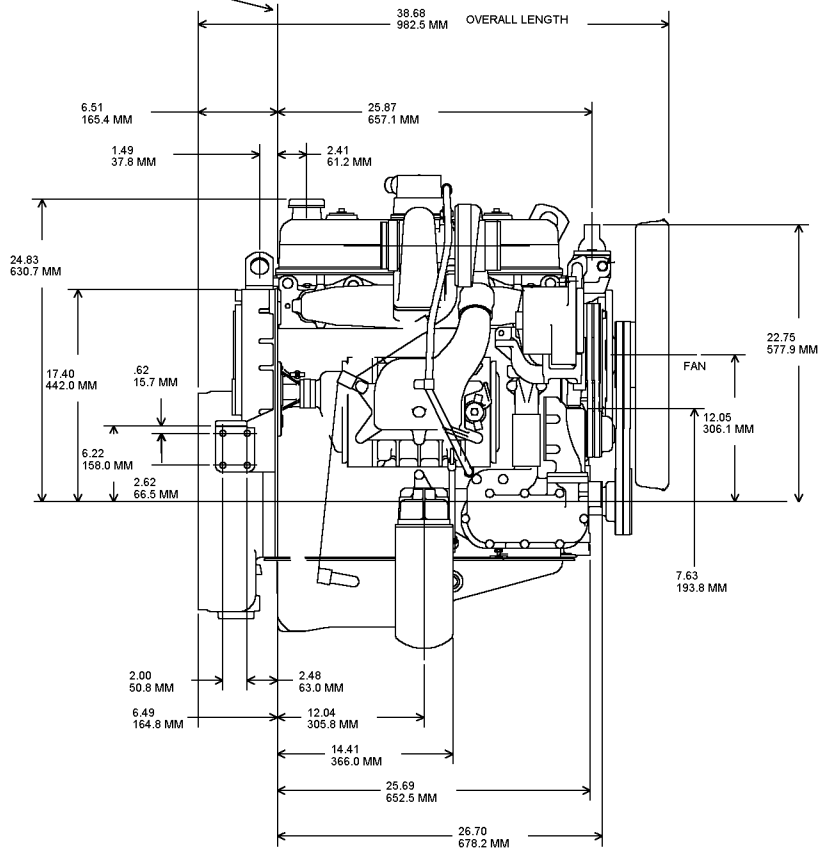
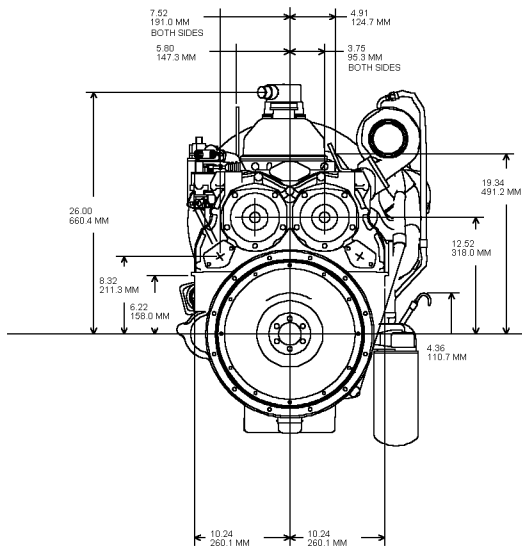
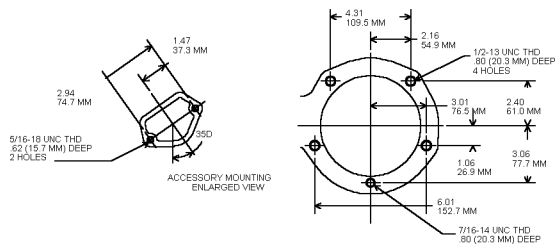


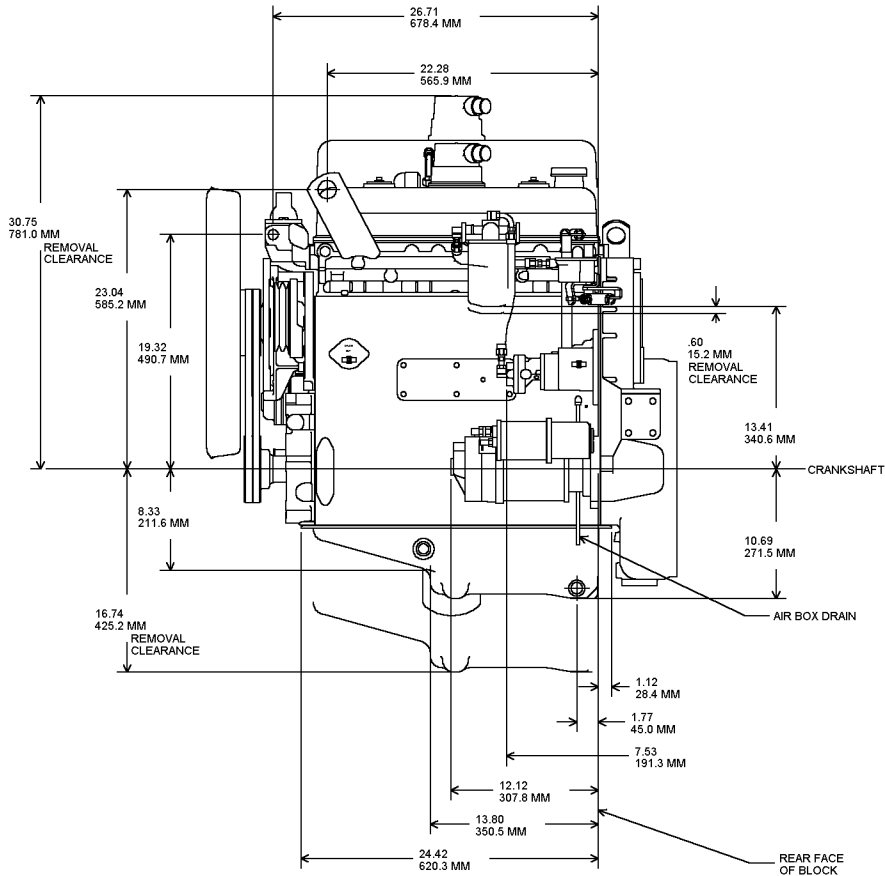
REAR FACE OF BLOCK



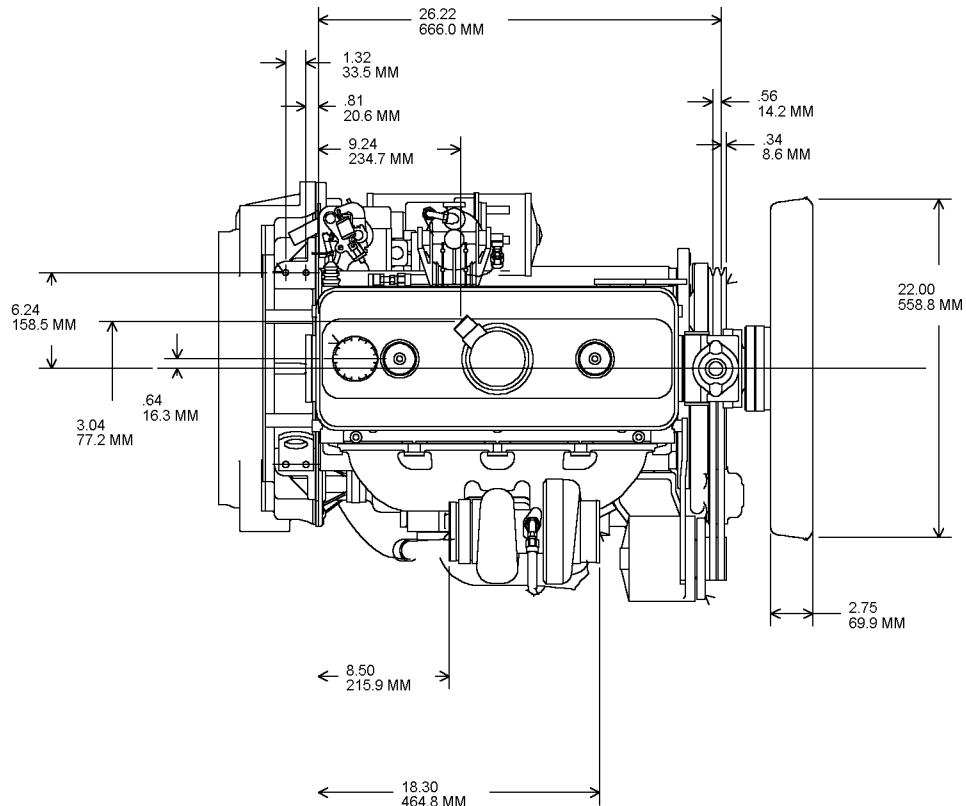
MODEL: 50438301



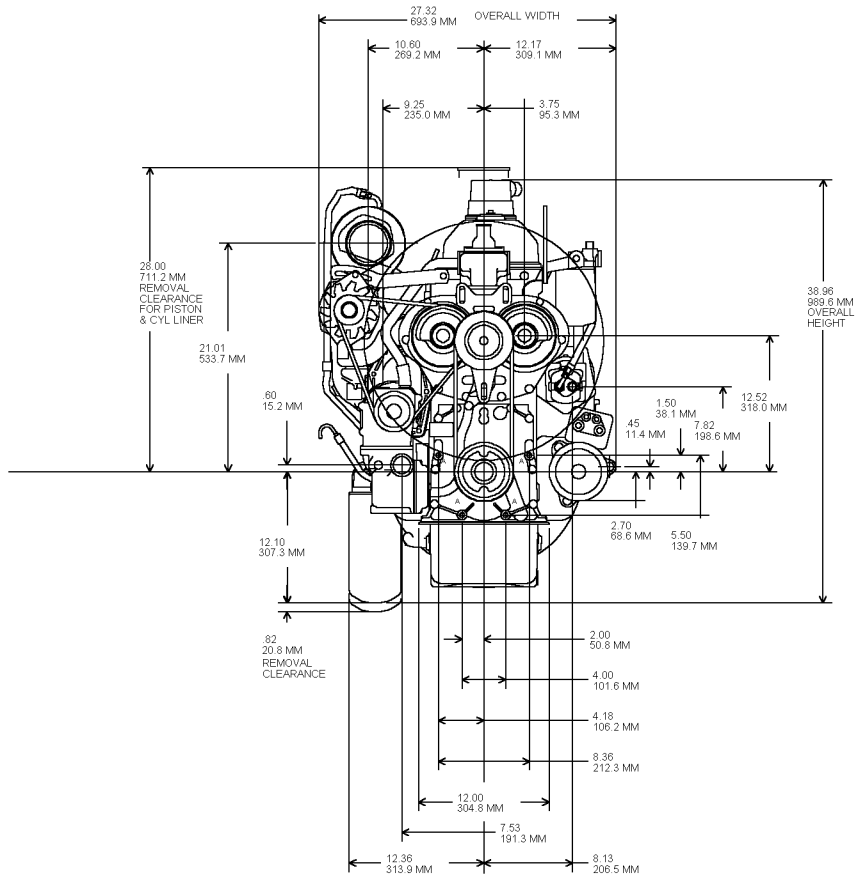
MODEL: 50438301



MODEL: 50438301



MODEL: 50438301



MODEL: 50438301